



# INSTALLATION INSTRUCTIONS

## SUPPRESSOR SHIELD UNIVERSAL RAIL ATTACH COUPLER

(A) x 1 - Cross bolt

(B) x 1 - Torx Key (T-25)

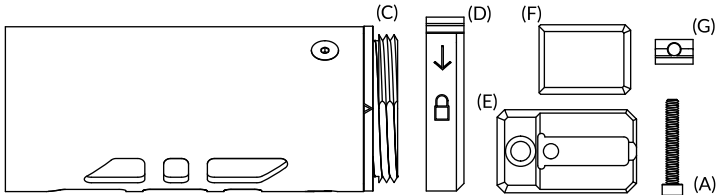
(C) x 1 - Male Coupler w/ Suppressor Shield

(D) x 1 - Female Coupler

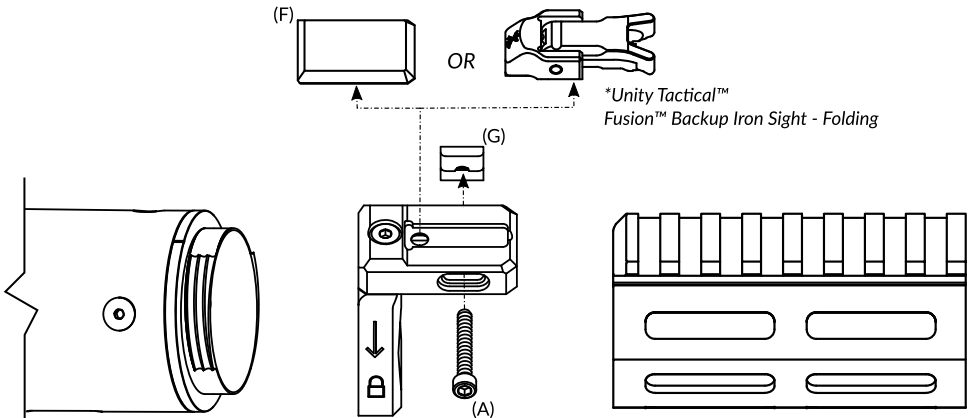
(E) x 1 - Picatinny Rail Grabber

(F) x 1 - Rail Grabber Cover Plate

(G) x 1 - Cross bolt nut



**WARNING : UNLOAD WEAPON & POINT IN SAFE DIRECTION**



1. Remove suppressor.
2. Separate Male and Female Coupler. (Rotate clockwise, shooter perspective)
3. Slide Rail Grabber and Female Coupler onto top Picatinny rail.
4. Insert Cross Bolt through Rail Grabber and Picatinny rail and install locking nut finger tight.
5. Hold Female Coupler tight against forend, tighten Cross Bolt snug.
6. Install suppressor.
7. Install Suppressor Shield.
  - a. Slide the Suppressor Shield over suppressor.
  - b. Match "V" on Male Coupler with line at 12 o'clock on Female Coupler.
  - c. Rotate counter-clockwise (shooter perspective) until "V" on Male Coupler aligns with Lock symbol on Female Coupler. Do NOT over tighten.
8. Check for secure fit.